

LUX **B.one**

ENTIRELY
BATTERY
POWERED



MULTILED FLOODLIGHTS | 4X100 W (IP69K)
ILLUMINATED AREA | 2000 m²
ADJUSTABLE FLOODLIGHTS



VERTICAL TELESCOPIC MAST
MAX HEIGHT | 5.5 m
LIFETIME WARRANTY



AGM 12V 140AH BATTERY
RUNNING TIME | 11 HRS
CHARGING TIME | 9 HRS



STANDARD TIMER
EMERGENCY LIGHT FUNCTION
INDOOR AND OUTDOOR USE



GALVANIZED METAL BODY
80 µm POWDER COATING

LB SERIES



MADE IN
ITALY



LUXTOWER 
lighting towers

LB Series LUX B.one

MADE IN
ITALY

TECHNICAL DATA

Dimensions & weight

Dimensions min.	mm	1190 X 800 X 2400
Dimensions max.	mm	1500 X 900 X 5500
Total weight without fuel	Kg	360

Features

Floodlight	W	4 X 100 W
Lamps type	W	MultiLed
Floodlight IP level		69K
Battery type		AGM 12 V 140 Ah
Batteries number		2
Running time	h	11
Charging time	h	9
Lifting method		manual
Wind stability	km/h	110
Optional		light sensor



SUPER SILENT



NO EMISSIONS

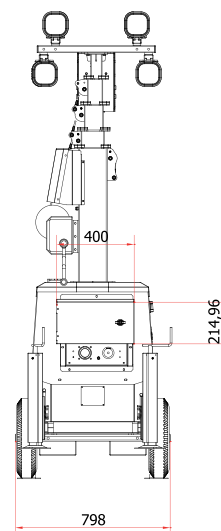
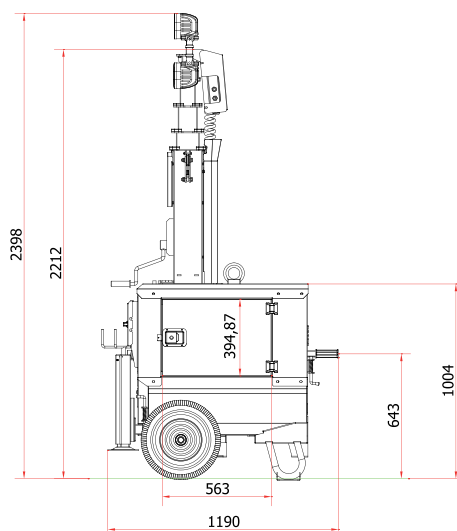
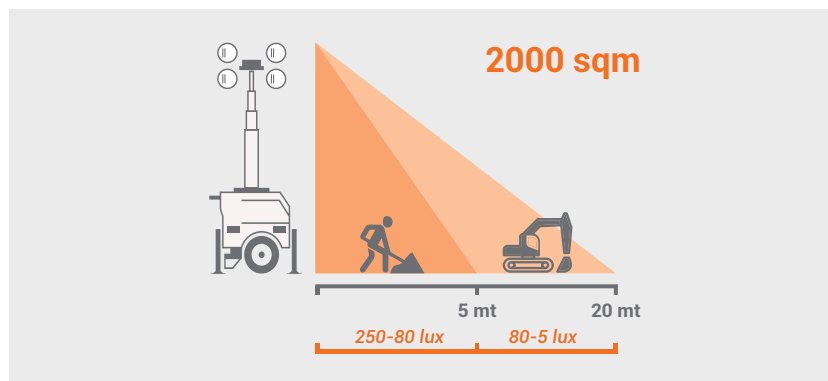


NO MAINTENANCE



NO FUEL COSTS

Illuminated Area // 5 lux min.



LUXTOWER
lighting towers

Luxtower: Via Strada Nuova, 28 - 27050 Codevilla (PV) ITALY | TLF. +39 0383 365544 | Fax +39 0383 49702

LUXTOWER ongoing policy is in continuous improvement. The company reserves the right to modify the technical specifications and items described in this catalogue at any time and without notice for technical or commercial reasons. Product images are shown for information only. LUXTOWER® - 2016© All rights reserved.