



LCSP ab lindec

Art. no. LCSP-NEW

WALK BEHIND SPREADER

**NEW
MODEL!**



New and modified model

Even easier

AB Lindec® new walk-behind spreader helps you to spread quartz, fiber stop and dry shake hardeners evenly over the surface.

Equipped with layers of urethane plastic as layer protection with reduced wear and maintenance as a result. A new and third wheel in front of the operator provides easier application and more stable line-up.



LCSP ab lindec



Basic data	LCSP-NEW
Machine width	134 cm
Working width	100 cm
Weight	60 kg
Dimensions unfolded	134x96x91.5 cm
Dimensions folded	134x69x63 cm
Load capacity	100 kg

Foldable handle

An even better and specially designed folding handle to make the machine smaller, during transport and storage.



The hopper

The big hopper can take up to 100 kg of material. Place the bags on the grid, cut open with the special cutter and lift the bag to allow the material to pour into the hopper.



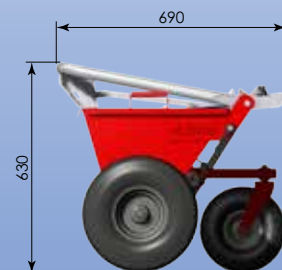
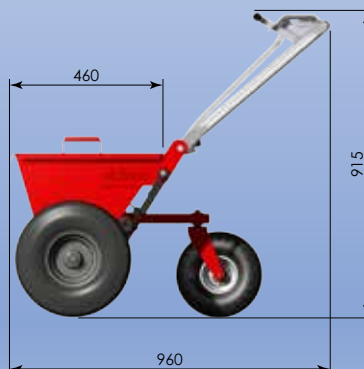
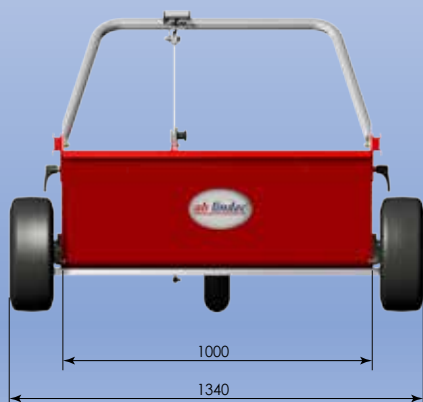
Wide wheels

The wide wheels reduce the tire pattern on the concrete.



Consumption pitch

Easy adjustment for consumption control of the material to be spread.



ab lindec® endeavours to provide correct information about technical properties and handling of its products. However, while ab lindec® has no control over the way in which the products are mixed and laid, or the conditions under which they set, ab lindec® can in no way be held responsible. ab lindec® is only responsible for the quality of the products at the time of delivery.